



BULL5M



CONTROL PANELS:
BULL5M ———| CP.CORE

BENINCA
TECHNOLOGY TO OPEN
MADE IN ITALY



AUTOMATIONS FOR SLIDING GATES RESIDENTIAL USE

with integrated control box and receiver
personalised release key
up to 500 kg



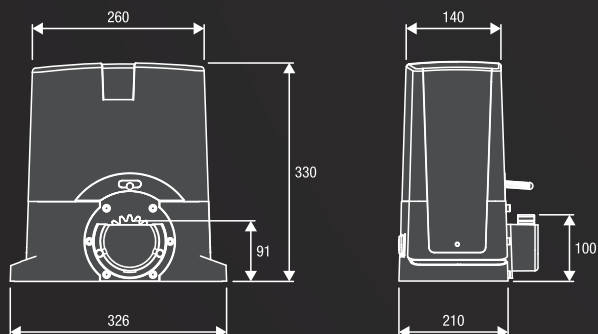
230 Vac

- Electromechanical 230 Vac geared motor with built-in control unit
- Optional encoder connection using MAG.E accessory
- The encoder device ensures crush prevention and precision in the gate moving phases
- Full metal release system
- Magnetic limit switches accessory available (MLS)



BULL.P3

Raised foundation plate included.
Floor fixing distance 260 x 117, no. 4 Ø 11,
motor fixing distance 300 x 75 no. 4



■ COMPLETE KITS

KBULL5M 9592091

- 1 **BULL5M** 230 Vac Operator with control unit and built-in receiver
- 1 **PUPILLA.F** Pair of photocells
- 1 **LAMPI.LED** 230 Vac Led flashing light with built-in aerial
- 1 **TOKEY** Metal key selector
- 1 **TO.GO2WV** 433.92 MHz Transmitter





RI.M4F
9272010

M4 rack 30x12x1000mm slotted and galvanized. Supplied with M6 metric screws and threaded spacers.

Packaging: 4 pcs



RI.M4Z
9272030

M4 galvanized rack (22x22x2000 mm).

Packaging: 2 pcs



RI.M4P
9272020

M4 Nylon rack with steel core, 28x40x1000 mm. Slotted, supplied with self-drilling screws.

Packaging: 10 pcs



MAG.E
9760021

Magnetic sensor device to detect obstacles and manage deceleration.



MLS
9387001

Magnetic limit switches for BULL. Suitable for snowy places.



SB.BULL8.F
9747025

Externally fitted anti-intrusion cable unlock device (L=4.5m).



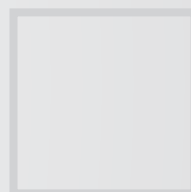
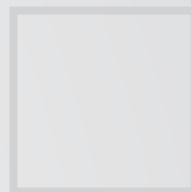
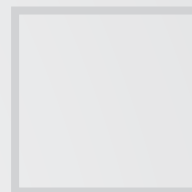
ID.TA
9846019

Warning board.



ESA BASIC
9176108

System that reduces the electrical energy consumption.



MADE IN ITALY

AUTOMATISMI BENINCA SpA • via del Capitello, 45 • 36066 Sandrigo (VI) ITALY • T +39 0444 751030 • F +39 0444 759728 • sales@beninca.it

TECHNICAL DATA

BULL5M

Code	9591434
Power supply	230 Vac (50-60Hz)
Motor supply	230 Vac
Max absorbed current	1.3 A
Max Thrust	650 N
Opening speed	10,5 m/min
Operation cycle	30%
Protection level	IP44
Operating temperature	-20°C /+50°C
Max gate weight	500 kg
Driving gear for rack	M4 Z18
Weight	10.6 kg
Items no. per pallet	36
Kits no. per pallet	30